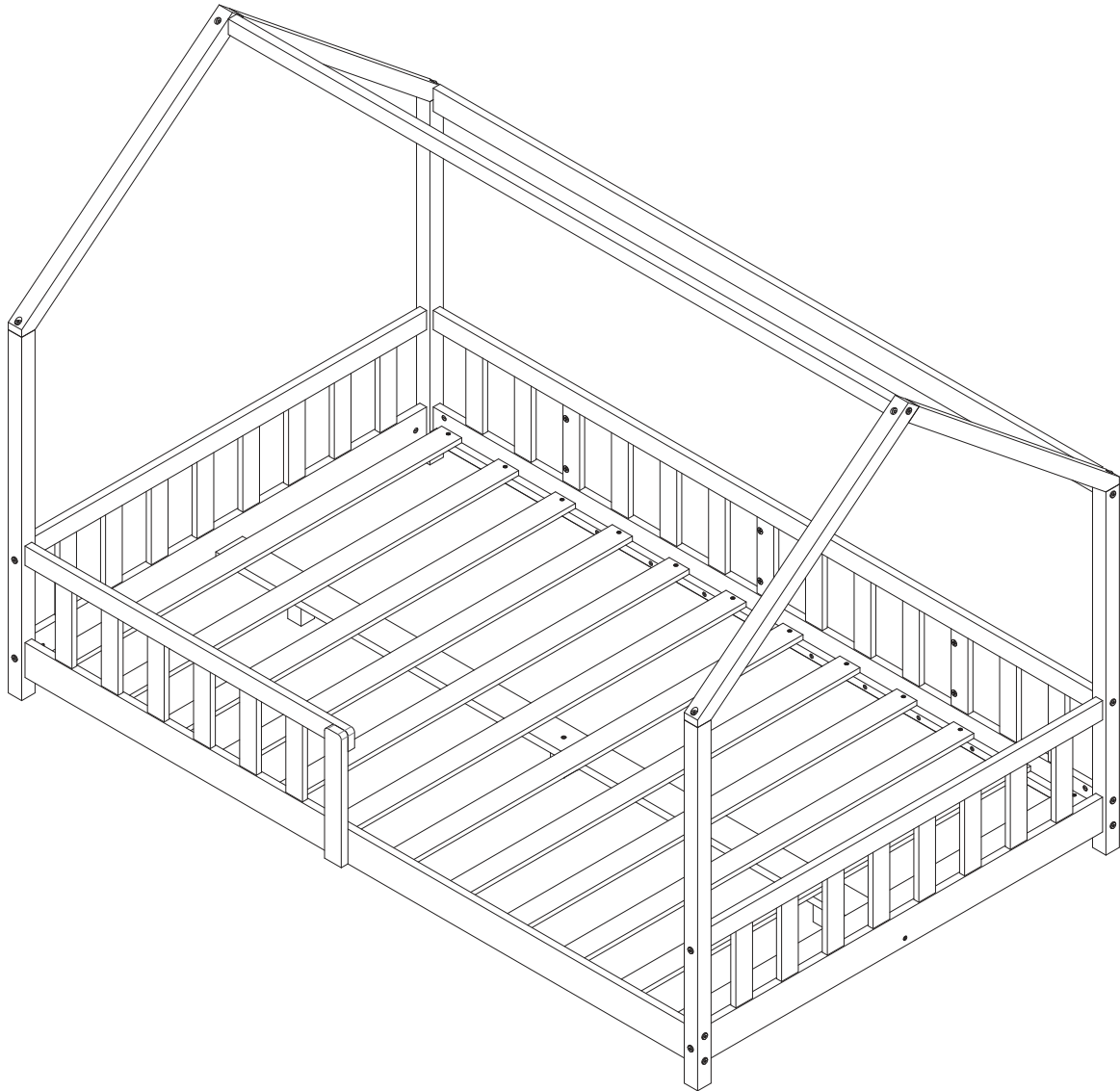


120x200cm

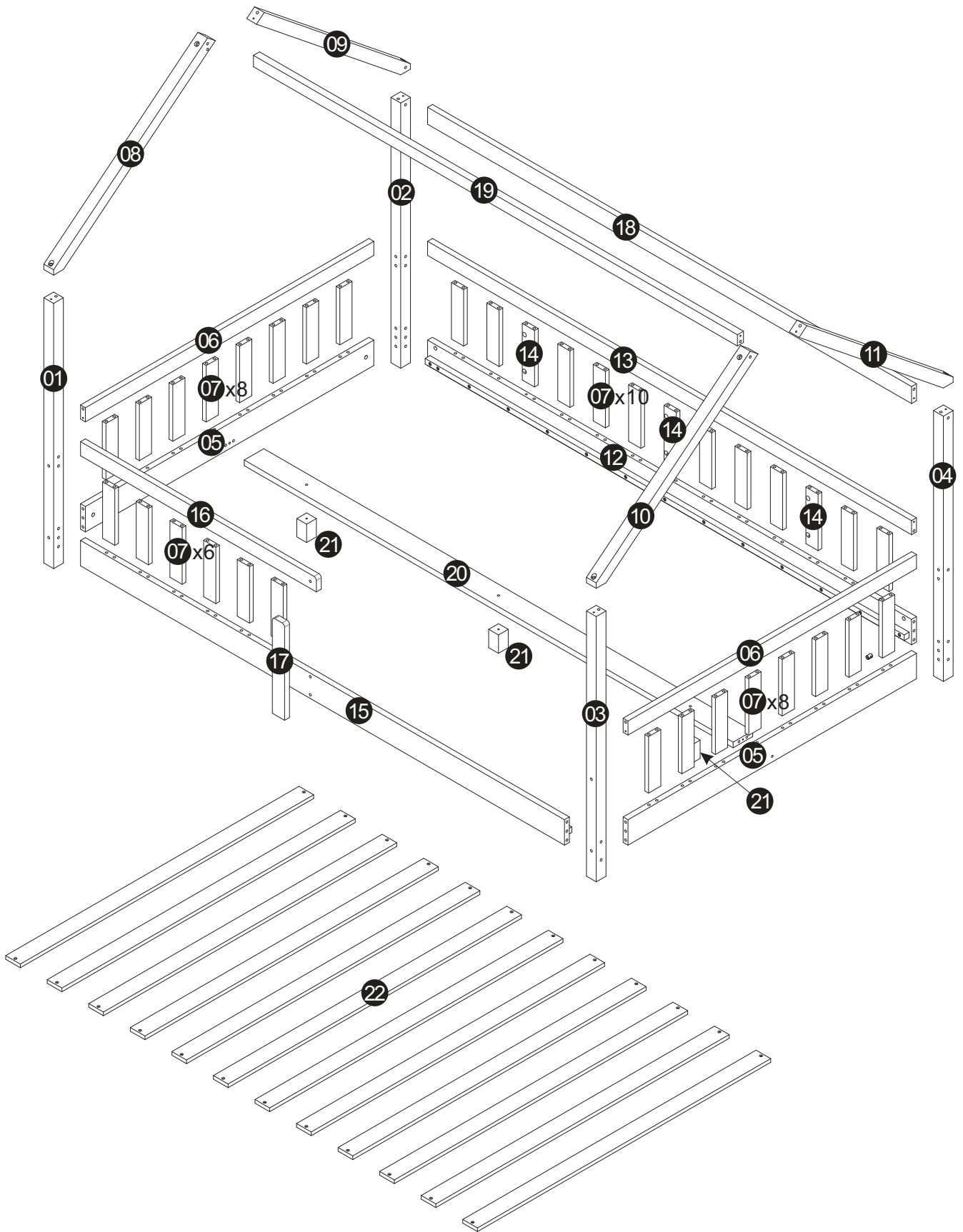


READ THE ASSEMBLY INSTRUCTIONS CAREFULLY. IDENTIFY THE ELEMENTS CONSTITUING YOUR PIECE OF FURNITURE. GROUP AND CHECK THE HARDWARE FITTINGS. GET THE TOOLS NEEDED. CLEAR SPACE TO WORK. PROCEED TO ASSEMBLE

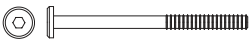


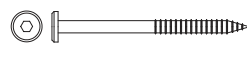

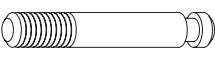

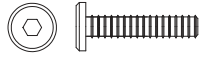
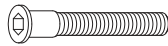


NEVER FORCE THE FITTINGS. TIGHTEN THE SCREW AFTER USING FOR SOMETIME. KEEP YOUR ASSEMBLY INSTRUCTIONS, IT COULD HELP FOR BETTER COMMUNICATION WITH YOUR STORE. IN THE EVENT OF QUERY.



EXPLODED VIEW



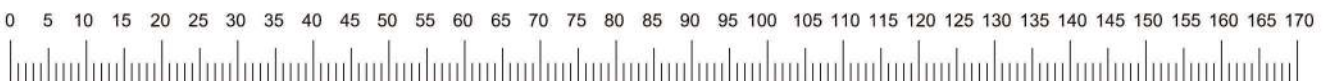
HARDWARE

A x12  M6x80	B x12  	C x167  Φ8x30	D x13  Φ6x80	E x4  Φ6x70
F x6  	G x6  	H x3  M6x30	J x5  Φ7x50	K x24  Φ4x30
L x1  				

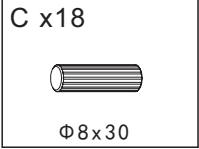
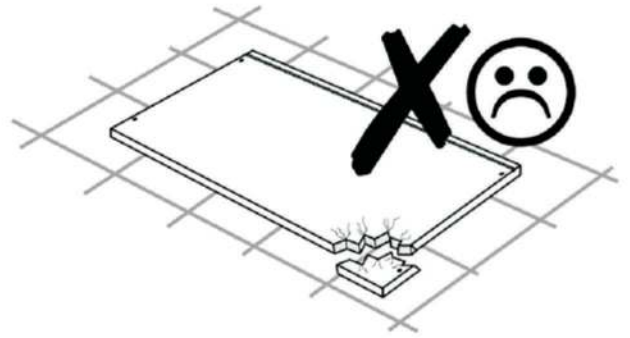
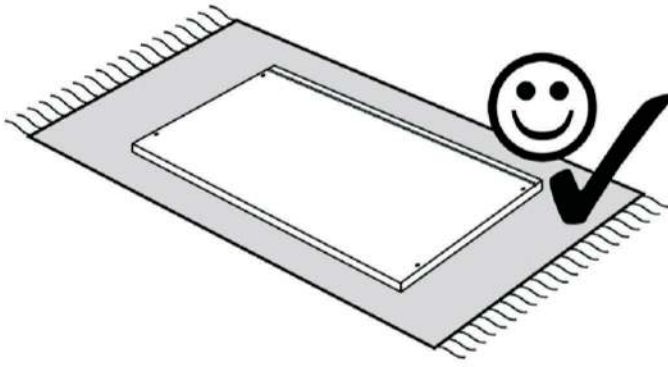
TOOLS



Ruler - Use this ruler to help correctly identify the screws



01-1



x2

05

x2

06

09

11

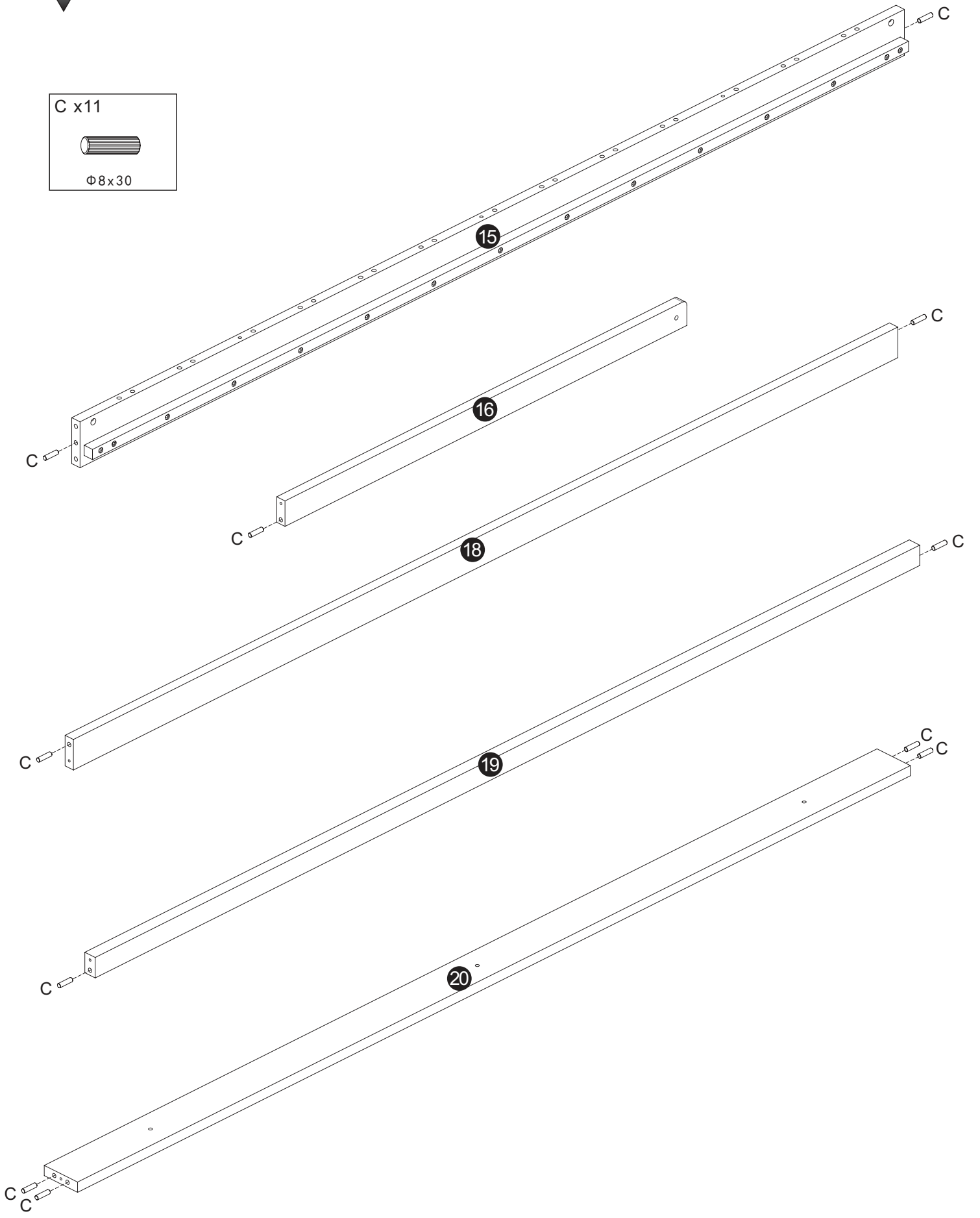
12

13

C x11




Φ8x30

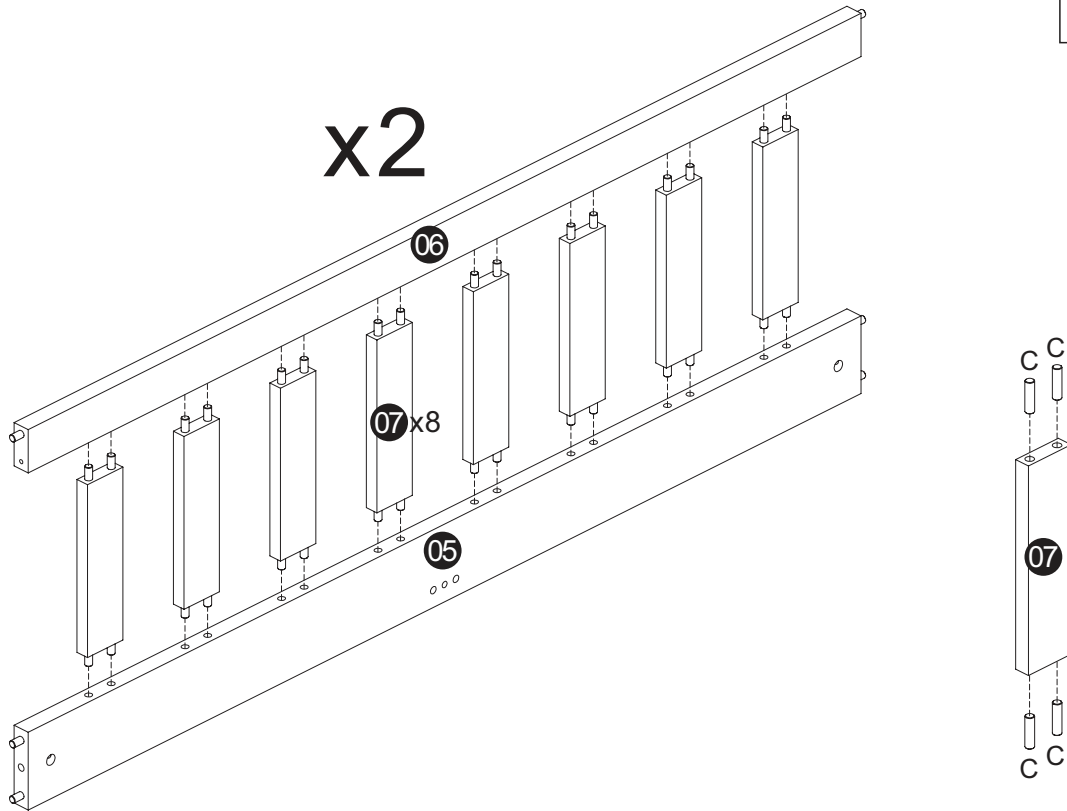


02




C x64

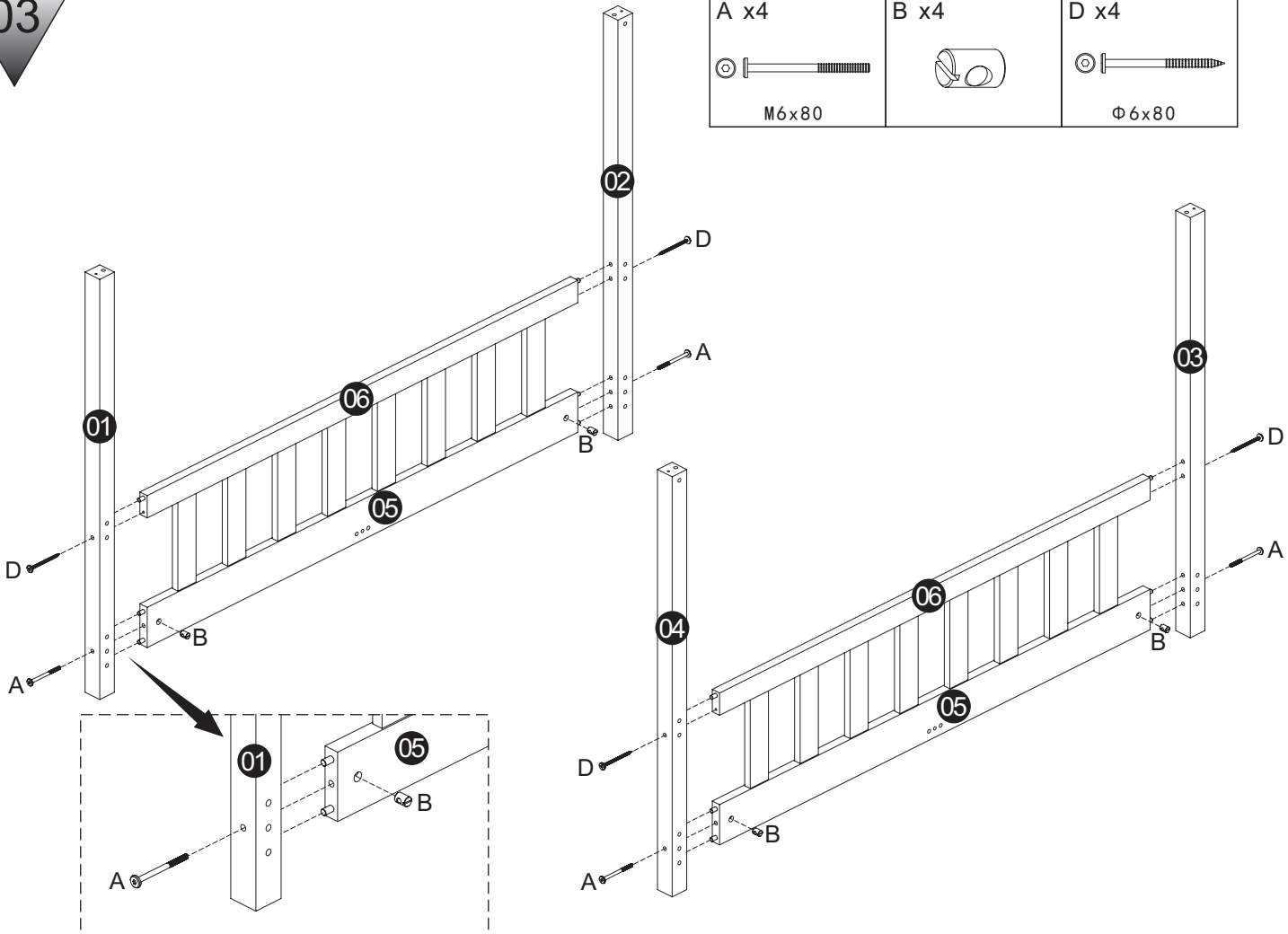


Φ8x30



03

A x4	B x4	D x4
		
M6x80		Φ6x80

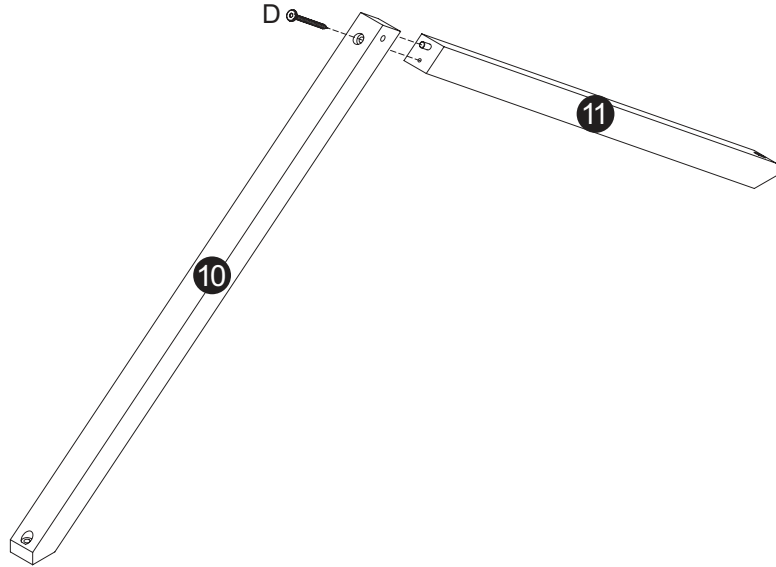
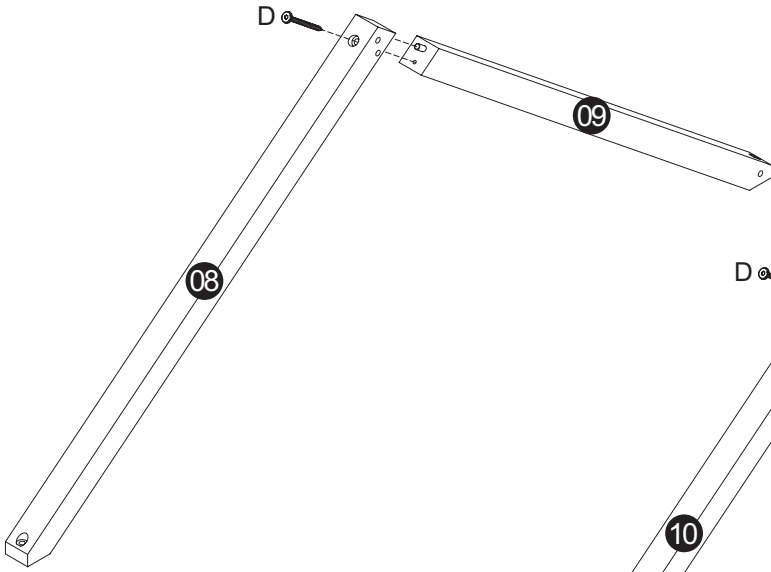


04

D x2



Φ 6x80



05

C x4

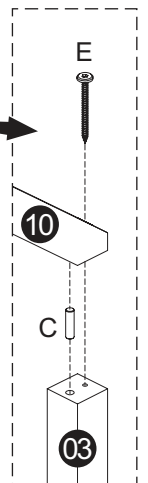
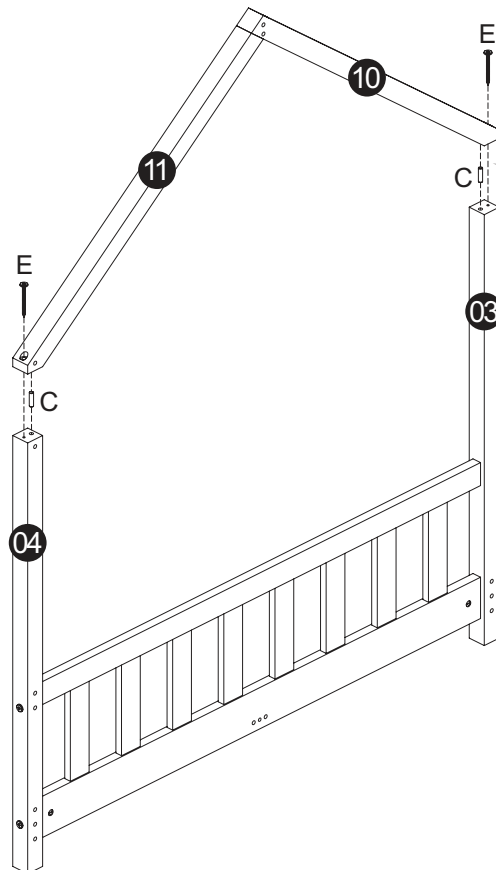
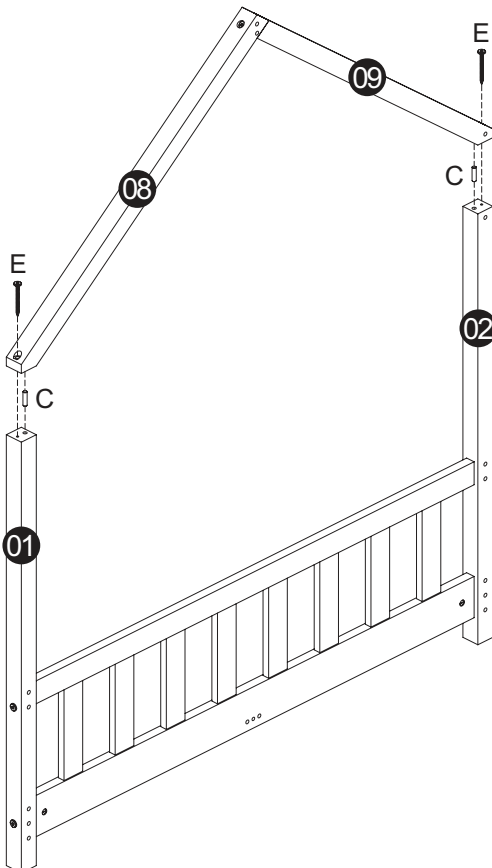


Φ 8x30

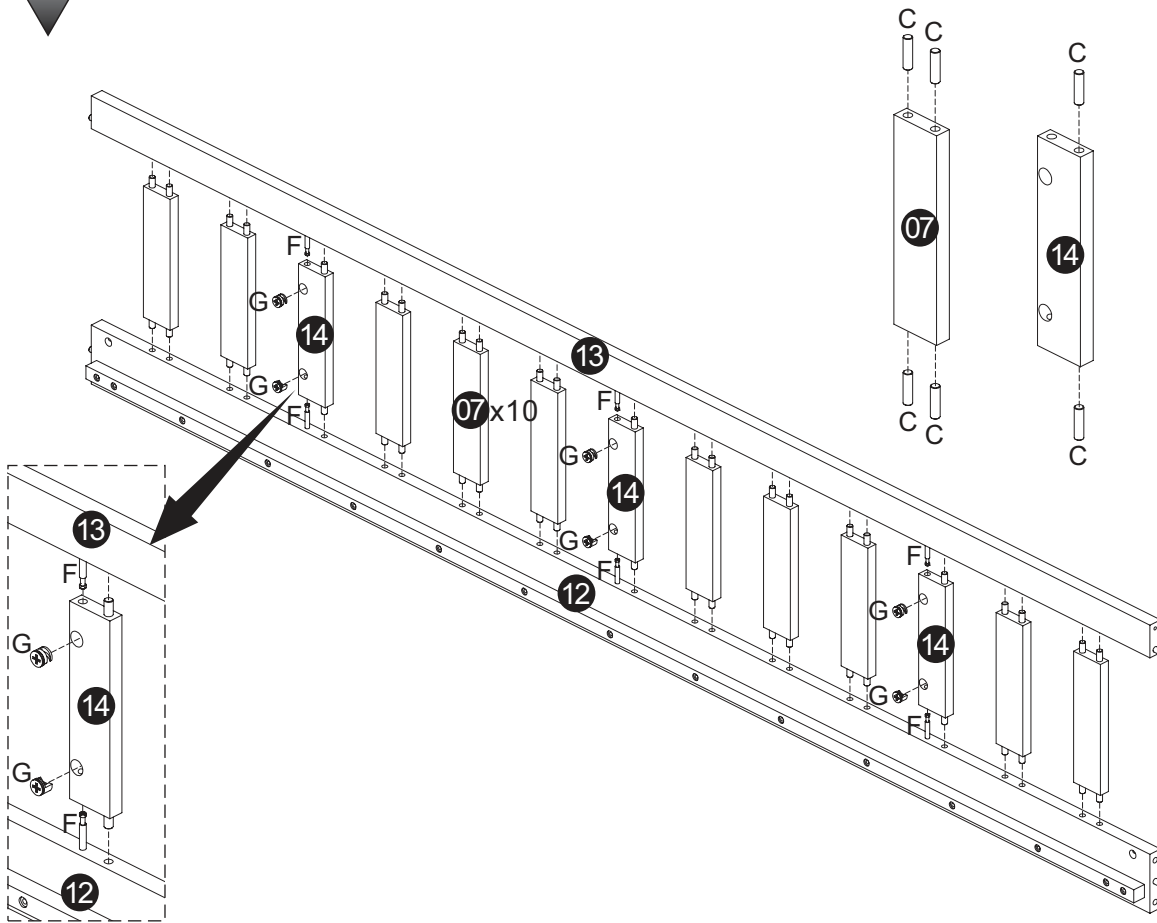
E x4



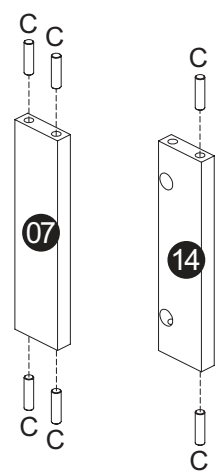
Φ 6x70



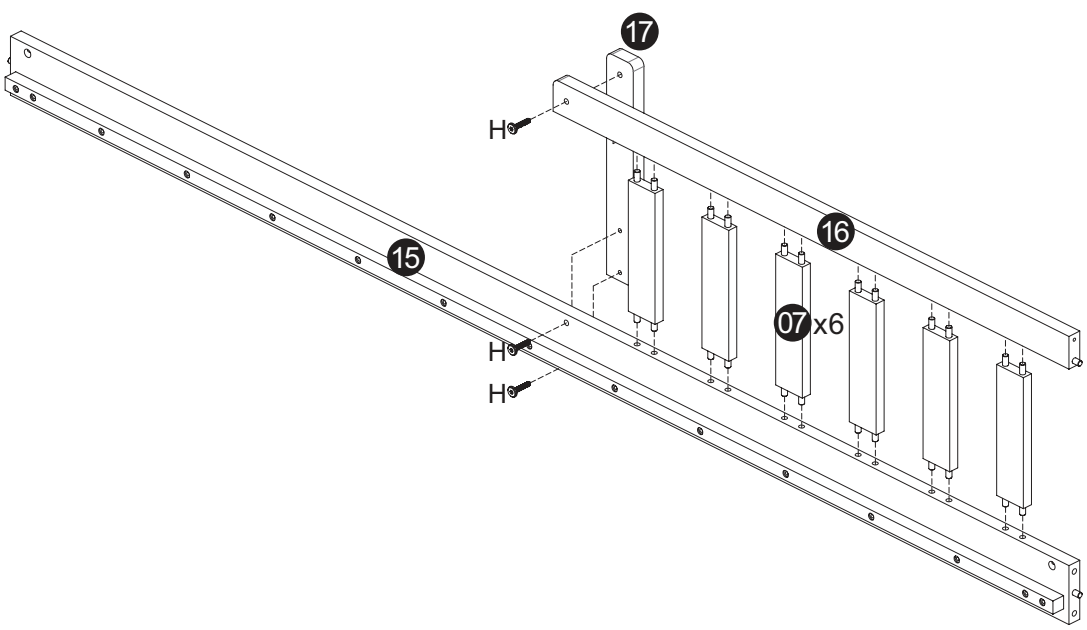
06



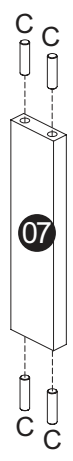
C x46	
$\Phi 8 \times 30$	
F x6	
G x6	



07



C x24		H x3	
$\Phi 8 \times 30$		M6 x30	

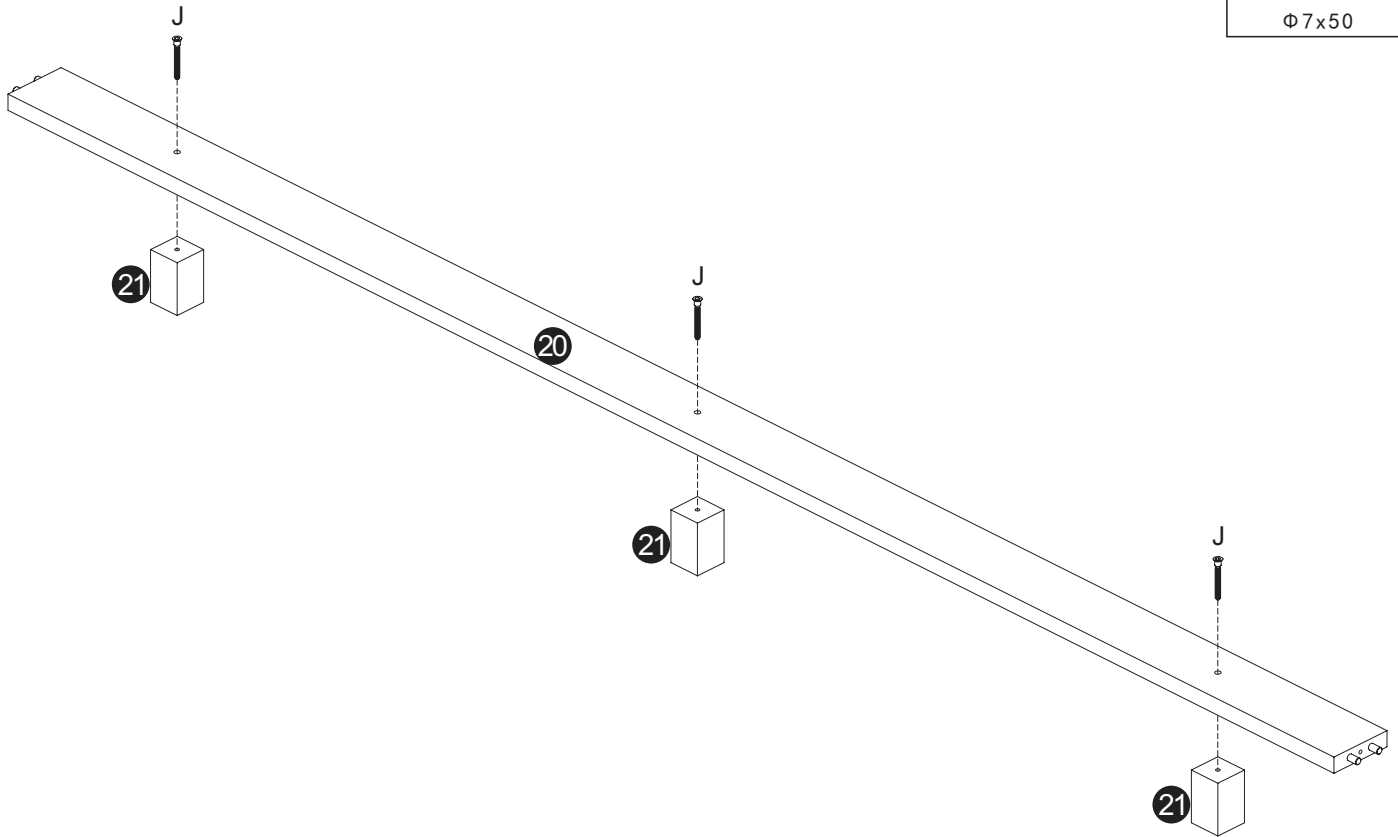


08

J x3



Φ7x50



09

A x8	B x8
M6x80	
D x7	J x2
Φ6x80	Φ7x50

